

DUALSTROBE

Dual Alert-Evac Strobe Unit

• Melbourne

Unit B2
2A Westall Rd
Springvale
VIC 3171
Tel (03) 9562 7577
Fax (03) 9562 8044
sales.vic@pertronic.com.au

• Sydney

Unit 19
287 Victoria Rd
Rydalmere
NSW 2116
Tel (02) 9638 7655
Fax (02) 9638 7688
sales.nsw@pertronic.com.au

• Brisbane

Unit 3
23 Anthony St
West End
QLD 4101
Tel (07) 3255 2222
Fax (07) 3255 1122
sales.qld@pertronic.com.au

• Adelaide

65 Manton Street
Hindmarsh
SA 5007
Tel (08) 8340 9533
Fax (08) 8340 9544
sales.sa@pertronic.com.au

www.pertronic.com.au

Overview:

The Dual Alert-Evac Strobe is designed to provide selective high visibility indication for 24VDC based emergency evacuation systems and supports 2-wire, 3-wire and 4-wire modes of operation.

Housed in a low profile easy to install enclosure the Dual Alert-Evac Strobe may be wall or ceiling mounted.

This unit is recommended for Factories, Rest Homes, Hospitals, and Suppression Systems etc. in conjunction with audible evacuation systems.

Units may be connected to provide the required alerting indication, as each strobe may be independently driven if required.

Features:

- Modern low profile design
- Easy two part installation with quick access for maintenance
- Ceiling or wall mounting
- Ultra high visibility Xenon Strobe indication (1 x amber, 1 x red)
- 20VDC to 30VDC operation
- Low current draw (50mA per strobe)
- 2-wire, 3-wire or 4-wire operation
- Suitable for Indoor or protected outdoor use
- Single screw housing attachment

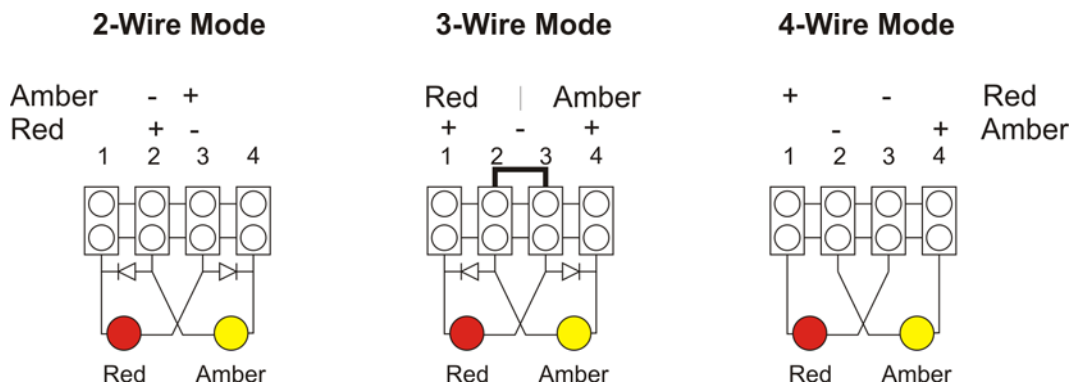


Dual Alert-Evac Strobe Unit

Specifications:

🔌 Dimensions:	190mm x 100mm x 32mm(d) + 35mm strobe height
🔌 Enclosure colour:	White
🔌 Mounting:	Keyhole type at 150mm separation (7.5mm dia. screw head max)
🔌 Weight:	540g
🔌 Operating Temperature range:	-10°C to 49°C
🔌 Operating Humidity range:	0 to 90%RH non-condensing
🔌 Cabling:	4 x 20mm diameter knockouts (top, sides and rear)
🔌 Wiring:	4-way removable Terminal Block with strain relief
🔌 Voltage range:	20V to 30V (DC) Monitoring voltage $\leq 0.5V$ in 2 wire mode
🔌 Strobe colours:	Red and Amber
🔌 Operating current:	50mA/strobe (average) @ 24VDC 0.2 μ A (stand-by)
🔌 Flash Rate @ 24VDC:	1.1Hz
🔌 Operating mode:	2-wire, 3-wire or 4-wire

Internal connection options:



Ordering Information:

Description	Part Number
Dual Alert-Evac Strobe (amber/red)	DUALSTROBE

PERTRONIC INDUSTRIES PTY LTD

Melbourne

Unit B2
2A Westall Rd
Springvale VIC 3171
Telephone: (03) 9562 7577
Fax: (03) 9562 8044
sales.vic@pertronic.com.au

Sydney

Unit 19
287 Victoria Rd
Rydalmere NSW 2116
Telephone: (02) 9638 7655
Fax: (02) 9638 7688
sales.nsw@pertronic.com.au

Brisbane

Unit 3
23 Anthony Street
West End Qld 4101
Telephone: (07) 3255 2222
Fax: (07) 3255 1122
sales.qld@pertronic.com.au

Adelaide

65 Manton Street
Hindmarsh
SA 5007
Telephone: (08) 8340 9533
Fax: (08) 8340 9544
sales.sa@pertronic.com.au