



F100A / F120A Mini Mimic

MINIMIMIC

• Melbourne

Unit B2
2A Westall Rd
Springvale
VIC 3171
Tel (03) 9562 7577
Fax (03) 9562 8044
sales.vic@pertronic.com.au

• Sydney

Unit 19
287 Victoria Rd
Rydalmere
NSW 2116
Tel (02) 9638 7655
Fax (02) 9638 7688
sales.nsw@pertronic.com.au

• Brisbane

Unit 3
23 Anthony St
West End
QLD 4101
Tel (07) 3255 2222
Fax (07) 3255 1122
sales.qld@pertronic.com.au

• Adelaide

65 Manton Street
Hindmarsh
SA 5007
Tel (08) 8340 9533
Fax (08) 8340 9544
sales.sa@pertronic.com.au

www.pertronic.com.au

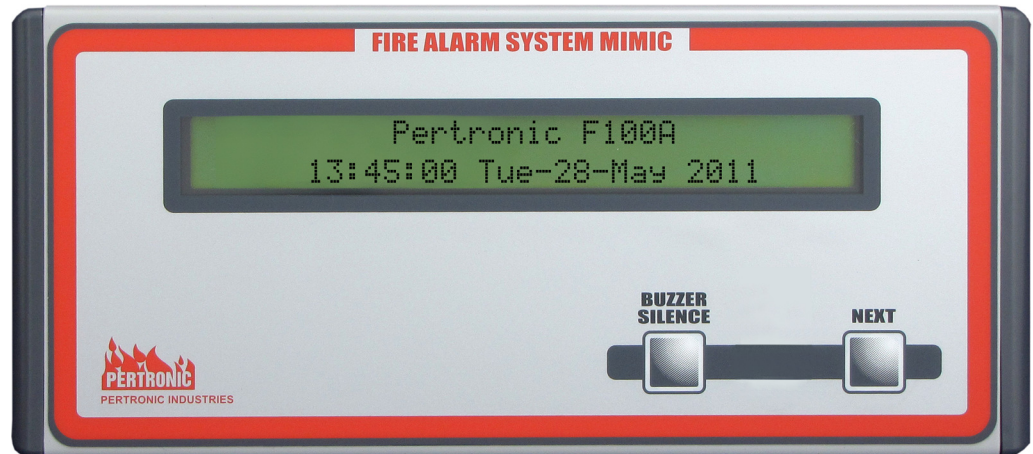
Product Overview:

The **Pertronic Mini-Mimic** allows **F100A** and **F120A** Fire Alarm system messages to be displayed at locations remote from the Fire Panel using the RS485 serial bus. The mini-mimic may also be connected to a Pertronic Network card which has been configured as an **NDU** driver, using the soft addressing function.

LCD Mini Mimics may be connected in one of three modes on the F100A and F120A:

- Full mode:**
- The panel and mimic have full poll/response functions
 - All messages, 'Alarm', 'Fault', 'Isolate' and 'System', are displayed
 - System buttons function as indicated
- Slave mode:**
- The mimic connection is not monitored by the panel
 - All messages, 'Alarm', 'Fault', 'Isolate' and 'System', are displayed
 - No command interaction with the panel is available
- Alarm Only mode:**
- Only Alarm messages are displayed, providing an unambiguous display

When connected to an **NDU** Network Card, only **Full** and **Alarm Only** modes are available.



Mini-Mimic for F100A/F120A/Network

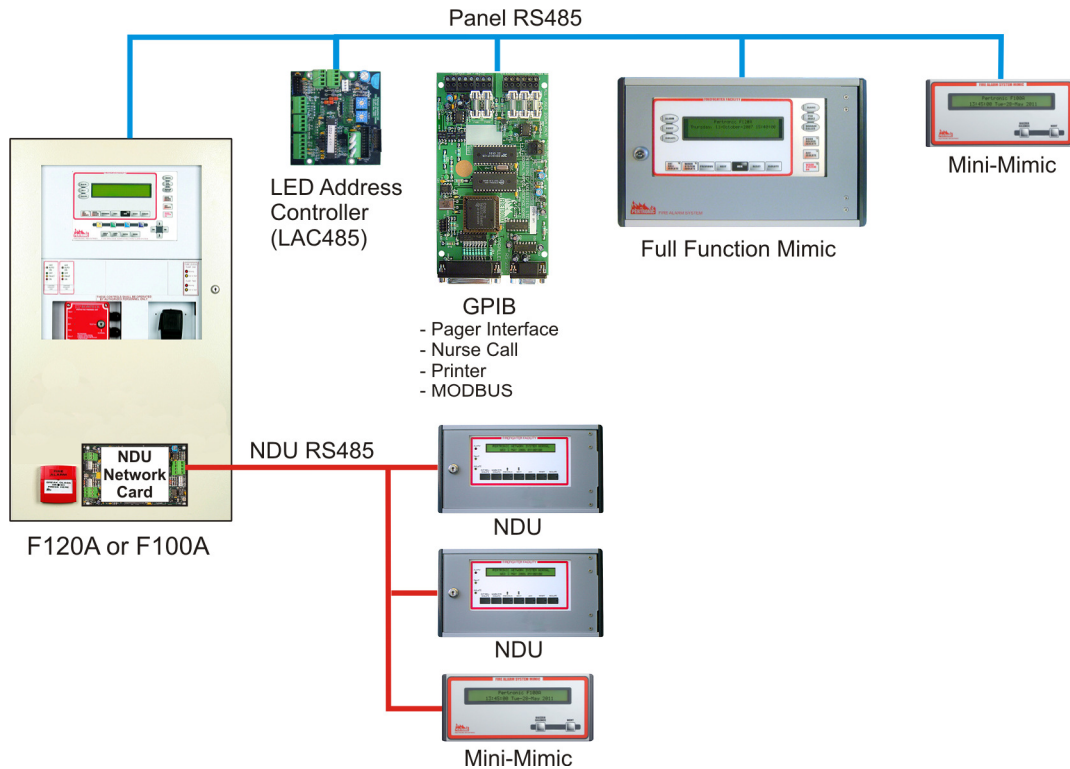
Standard Features:

- Compatible with F100A, F120A and NDU Network Cards
- 2 line, 40 character, alpha-numeric LCD display
- Backlit LCD Display in 'Alarm' Condition
- May be configured to display all messages, or 'Alarm'(s) only
- Local buzzer with extension buzzer output
- 'Buzzer Silence' switch: cancels the in-built buzzer
- Low Power Consumption.
- 'Next' switch: allows scrolling of queued messages
- Decade address switches
- Optional soft addressing for Network Display Unit option

Specifications:

- Size: 105mm (h) x 236mm (w) x 31mm (d)
- Power Supply Current (normal): 5mA @ 27Vdc
- Power Supply Current (alarm): 46mA @ 27Vdc
- Communications: RS485
- Cable Requirement: 2 core twisted data, 2 core power

Connection Diagram:



MINIMIMIC direct and network connection

Installation/Commissioning:

- ✚ Wire 4 core cable (DC Supply and RS-485 twisted pair) from the Pertronic Analogue Addressable panel or NDU Network Card to the Mini-Mimic connector K2 and wire from K10 to the next Mimic device, if fitted.
- ✚ Connect a 470Ω resistor across the A and B terminals of K10 to provide End-of-Line termination on the last device (LCD or LED Mimic)
- ✚ Set panel compatibility mode jumper: F100 or F120 (NDU option uses F100 mode)
- ✚ Set required display mode jumper: Alarm Only, or All messages
- ✚ Set address links:

F100A	F120A	NDU Network Card	Function
Address 0	Address 0	Not applicable	Slave LCD Mini-Mimics - Display only
Address 1 to 8	Address 1 to 29	Soft Address 0 to 7	Monitored LCD Mini-Mimics

Note: a maximum of 32 devices may be connected to the External RS485 port of Analogue Addressable Panels. A maximum of 8 NDU or Mini-Mimic displays can be connected to a Network Card configured as an NDU display driver.

Ordering Information:

Description	Part Number
LCD Mini Mimic with Buzzer Silence and Next controls	MINIMIMIC

PERTRONIC INDUSTRIES PTY LTD

Melbourne

Unit B2
2A Westall Rd
Springvale VIC 3171
Telephone: (03) 9562 7577
Fax: (03) 9562 8044
sales.vic@pertronic.com.au

Sydney

Unit 19
287 Victoria Rd
Rydalmere NSW 2116
Telephone: (02) 9638 7655
Fax: (02) 9638 7688
sales.nsw@pertronic.com.au

Brisbane

Unit 3
23 Anthony Street
West End Qld 4101
Telephone: (07) 3255 2222
Fax: (07) 3255 1122
sales.qld@pertronic.com.au

Adelaide

65 Manton Street
Hindmarsh
SA 5007
Telephone: (08) 8340 9533
Fax: (08) 8340 9544
sales.sa@pertronic.com.au