



AA Isolator Base B524IEFT-1

Overview

The B524IEFT-1 detector base with isolator is designed for use with System Sensor analogue addressable detectors. The isolator prevents an entire communications loop from being disabled when a short-circuit occurs. It achieves this by isolating the loop segment containing the short from the remainder of the circuit. The isolator automatically restores the loop when the cause of the short-circuit is removed.



AA Isolator Base B524IEFT-1

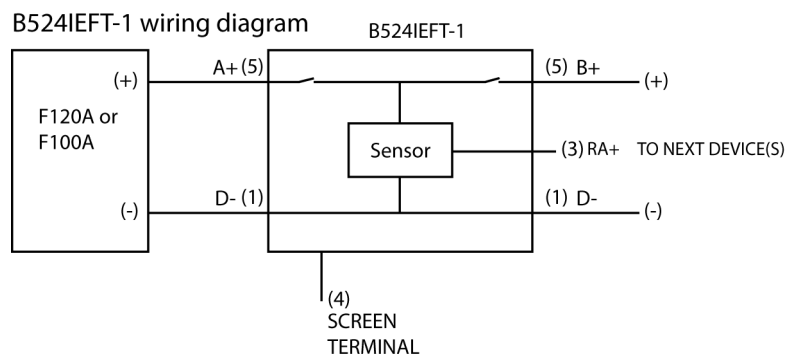
Features

- » Low current consumption: 100 µA
- » Complete isolation of short-circuit cable between isolators
- » Automatic restore when short-circuit is corrected
- » Rugged industrial construction
- » Loop positive (+ve) isolation
- » Remote LED connection
- » Sensor continues to operate with a short-circuit on either side of the isolator base

Specification

Operating Voltage	15 Vdc to 28.5 Vdc
Standby Current	< 100 μ A @ 24 Vdc
Maximum on Resistance (24 V)	0.13 Ω
Maximum on Resistance (15 V)	0.16 Ω
Off Resistance	2200 Ω
Operating Temperature Range	-30 $^{\circ}$ C to 70 $^{\circ}$ C
Humidity	0 to 95 %, RH, non-condensing
Base Dimensions	102 x 26 mm (Dia x H)
Weight	70 g
Maximum Wire Gauge for Terminals	0.5 mm ² to 1.5 mm ²

Wiring Diagrams



Capacity

This following table shows the maximum number of detectors or modules that can be installed between two isolators.

Detector / Module Type	Max number between B524IEFT-1 or similar isolator
200 Series Detectors in B501AUS or B501AP Base	60
7251 Pinnacle	40
6500 Beam Detector	15
Old 500 Modules	6
M200 Modules (except CZ)	40
M210E-CZ Conventional Zone Module	10
Multi-modules	6
MCP5A Manual Call Point	4
Any sensor in B524RTE relay base	3

Ordering Information

Product Code	Description
B524IEFT-1	AA Detector Base with Isolator

0900 AA Isolator Base B524IEFT-1 Iss 1.0 20181109