



# AA Dual Input, Dual Output Module

## Product Overview:

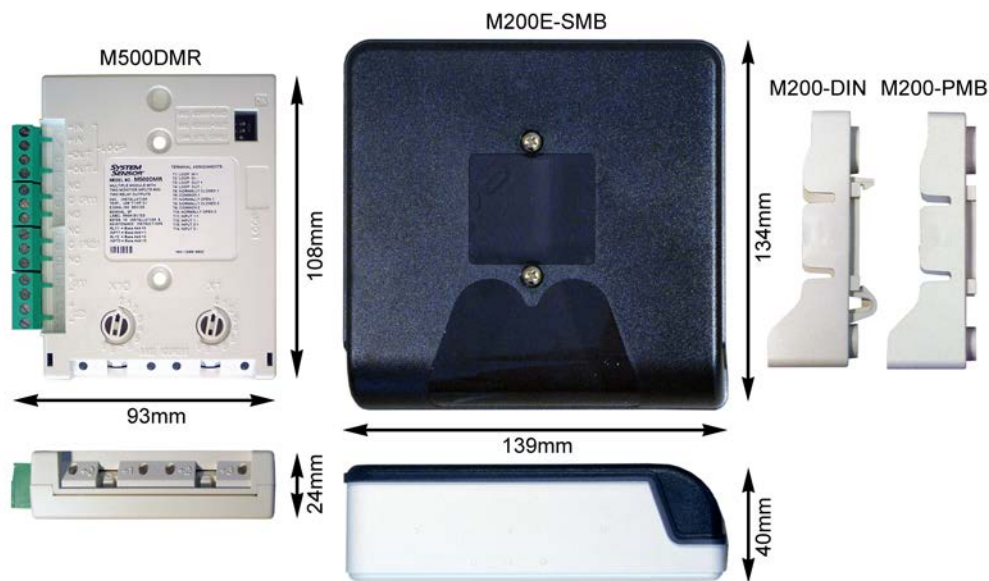
---

The System Sensor **M500DMR Analogue Addressable Dual Input, Dual Output Module** supervises two input circuits from external switch devices and also provides two unmonitored single pole volt-free changeover contacts for external devices. Input channels are capable of both latched and analogue supervision: there are three separate latched states, normal, open circuit and combined alarm/short. The analogue supervision continuously monitors the supervised circuit, returning a signal proportional to the circuit resistance.

The module may be mounted in either a wall box, on a DIN rail, or inside any type of enclosure. Irrespective of the chosen mounting method, the address switch is both visible and accessible for selection.

To assist maintenance and fault-finding, both the LEDs and the address switches are visible without removing the surface mounting box cover.

The M500DMR incorporates a loop isolator that isolates the loop in and loop out connections in the event of a short circuit on either loop connection.



## Features:

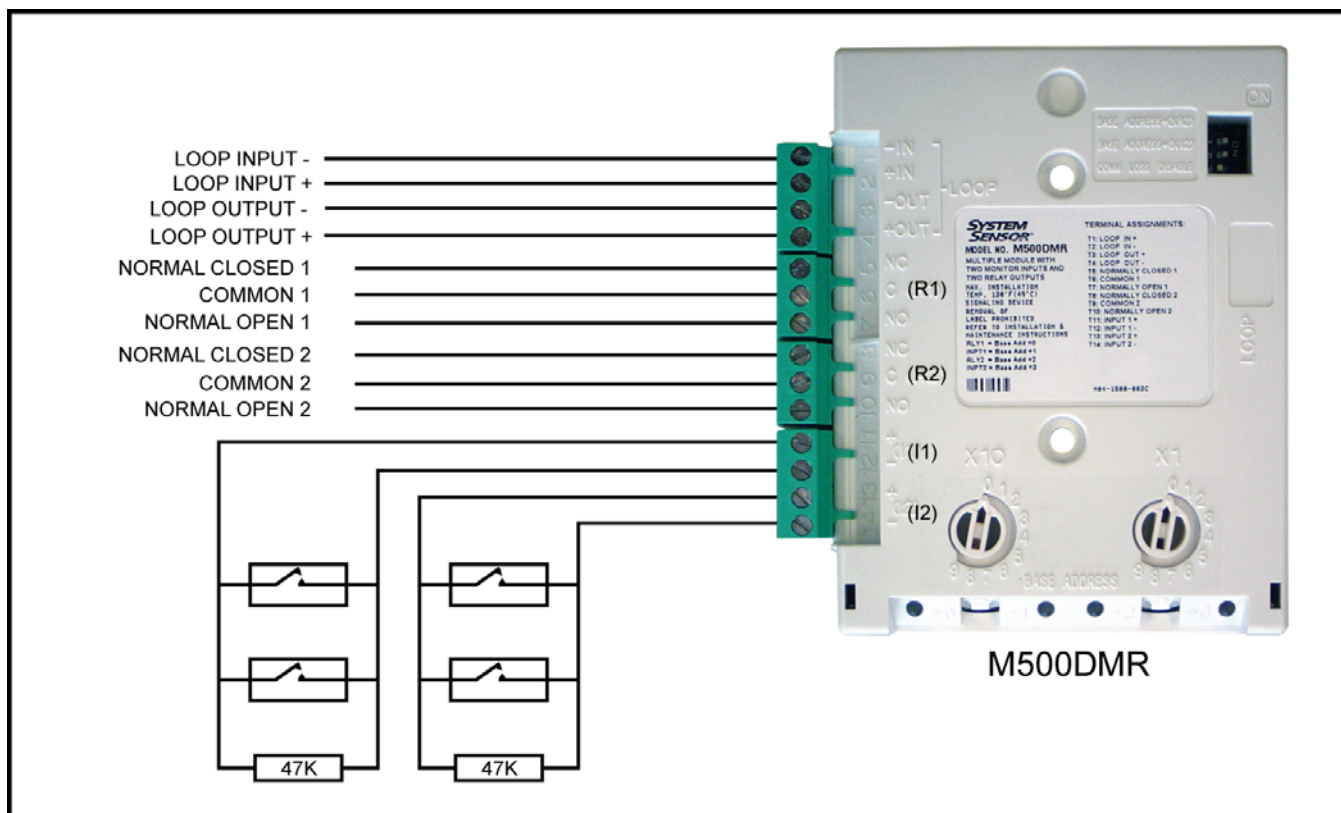
---

- » Dual Input, Dual Output Module
- » Input 2 (I2) and Relay 2 (R2) may be disabled individually using module DIP switches
- » Incorporates an Isolator for the Analogue Addressable Loop
- » Common mechanical platform for box, panel and DIN Rail mount versions
- » Four red indicator LEDs with wide viewing angle
- » Module base address programmed with rotary address switches: Visible and selectable in two planes
- » Uses 2, 3, or 4 loop address spaces

## Specifications:

» Addressing	Module Base Address	= Relay #1	R1
	Module Base Address +1	= Input #1	I1
	Module Base Address +2	= Relay #2	R2
	Module Base Address +3	= Input #2	I2
» Dimensions	94 x 108 x 24	W x H x D	mm
» Surface Mount Box Dimensions	137 x 132 x 40	W x H x D	mm
» Maximum Wire Gauge	2.5 mm <sup>2</sup>		
» Operating Voltage Range	15 VDC to 32 VDC		
» EOL Resistance (monitor input)	47 kΩ		
» Supervisory Voltage (monitor input)	8.8 VDC		
» Standby Current for complete product	1 mA		
» Relay Contact Rating	2 A @ 30 VDC		
» Operating Temperature Range	-5°C to 50°C		
» Humidity Range	10% to 93% RH, non-condensing		

## Connection Diagram:



## Ordering Information:

Product Code	Description
M500DMR	Addressable Dual Input, Dual Output Module (Uses M200E-SMB Mounting Box)
M200E-SMB	Surface Mount Box for 200 Series Addressable Modules -Euro
M200E-DIN	DIN Rail Mounting Brackets