

L-VJM10A/EN(C)&582481 L-VJM10A/EN&582473 Unidirectional Projection Loudspeaker

* L-VJM10A/EN(C)&582481 is supplied with capacitor for line monitoring



This loudspeaker is a high-performance 10 W voice alarm unidirectional projection loudspeaker. It provides a broad frequency response range, low distortion and high sound pressure level for accurate and intelligible broadcast of evacuation messages and high quality sound reproduction. It can be used in indoor, outdoor, dry, or wet applications, providing reliable operations over wide temperature and humidity ranges. Its low-profile, white color design blends easily with most interiors in locations such as hotels, conference rooms, cinemas, theme parks, factories and exhibitions.

This voice alarm unidirectional projection loudspeaker complies with BS5839 part 8 and EN54 part 24.

Technical Specifications

Electrical

Max power	20 W
Rated power	10 W
Power tapping	10 W / 5 W / 2.5 W / 1.25 W
Sensitivity (1W/4m, 100Hz~10kHz)	77 dB
SPL(1W/1m, 100Hz~10kHz)	89 dB
SPL(10W/4m, 100Hz~10kHz)	86 dB
Frequency response (-10 dB)	150 Hz ~ 20k Hz
Rated input voltage	100 V / 70 V
Rated impedance	1k Ω / 2k Ω / 4k Ω / 8k Ω
Connection	fire-resistant cable

Mechanical

Dimensions	140 mm x 140 mm x 195 mm
Weight	2.62 kg
Color	RAL9003
Speaker size	5.25"

Environmental

Operating temperature	-25°C to +55°C
Storage temperature	-40°C to +70°C
Relative humidity	<95%

- * The reference axis is perpendicular to the centre point of the front grille
- * The reference plane is perpendicular to the centre of the reference axis
- * The horizontal plane is perpendicular to the centre of the reference plane
- * The spec/data was measured using a standard baffle mounting in an anechoic chamber as described in EN54-24



0359
14
0359-CPR-00172

- Intelligible voice and superior sound reproduction
- Ceiling or wall mount
- Meets virtually any outdoor requirements
- Complies with EN54-24 standard

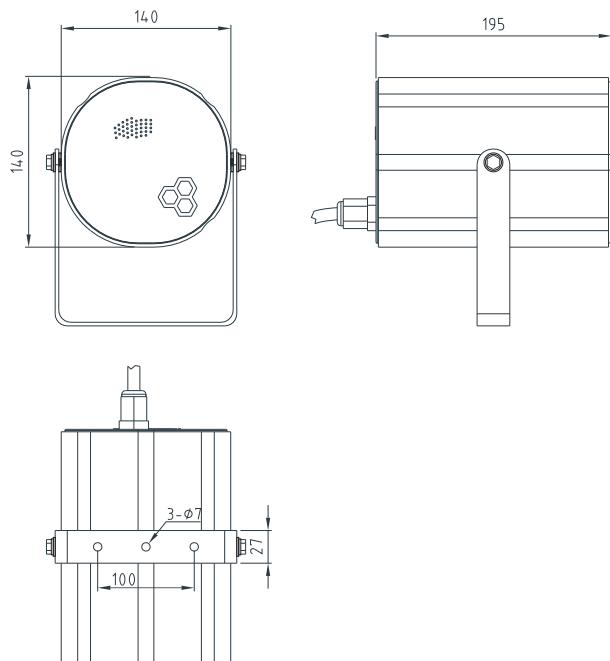
Installation/Configuration Notes

Mounting

A durable bracket is provided for quick installation and flexible angle adjustment. Besides, this unidirectional loudspeaker can be ceiling mount with a bracket.

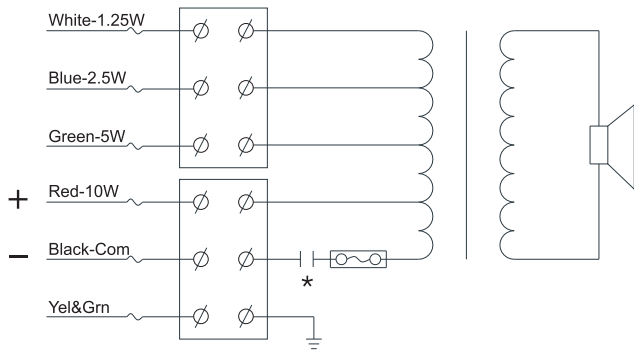
Power setting

The product comes with a one-meter, fire-resistant six-core cable already attached to the ceramic connector. The cable is a bundle of wires color-coordinated corresponding to the different power taps of the transformer. The cable connector is mounted on the back cover for easy installation.



Dimensions in mm

Circuit Diagram



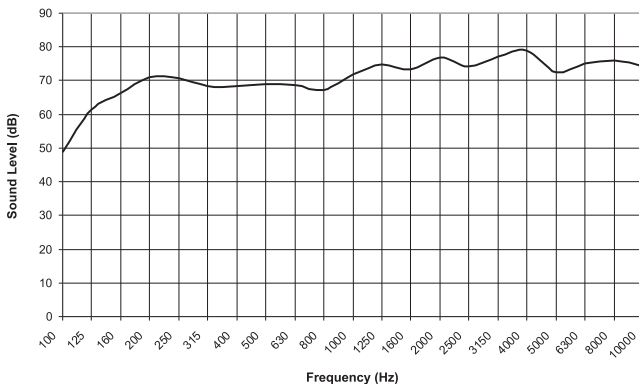
* unit fitted with capacitor

With transformer: 100V/70V line

	Red	Green	Blue	White	Black
100V	10W	5W	2.5W	1.25W	Com
70V	5W	2.5W	1.25W	0.625W	Com
IMP(Ω)	1K	2K	4K	8K	

Frequency Response

Frequency Response at 100 volt/4m, 1/3 oct smoothing

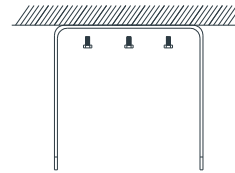


Dispersion angles

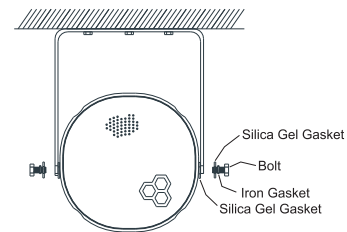
		Horizontal	Vertical
1 oct. pink noise	500 Hz	360°	360°
1 oct. pink noise	1k Hz	211°	209°
1 oct. pink noise	2k Hz	113°	112°
1 oct. pink noise	4k Hz	64°	61°

Installation Instructions

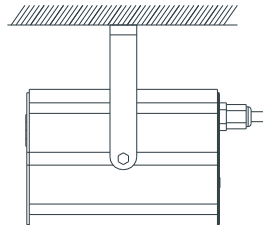
1. Remove the aluminum bracket from the carton and secure it on the ceiling or wall using the three provided mounting screws.



2. Use the screws, gasket and silicone O-ring in the accessory package to secure the speaker to the bracket according to the picture below.



3. Adjust the angle and tighten the screws on both sides.



Honeywell

hav.international@honeywell.com

www.honeywellav.com

© 2014 Honeywell International Inc. All rights reserved.

Data subject to change without notice

USA: Honeywell International Inc./ 12 Clintonville Road, Northford CT 06472
 Europe: Novar GmbH a Honeywell Company / Dieselstrasse 2, 41469 Neuss, Germany
 Austria: Honeywell Life Safety Austria GmbH / Lembockgasse 49, 1230 Vienna, Austria
 UK: Novar Systems Ltd / Waterside Road, LEICESTER, Leicestershire LE5 1TN, United Kingdom

M_L-VJM10A/EN(C)&582481_EN_1.3
 2100041735